

## OMC76 会议摄像机-控制单元 OMC76 Conference Camera - Control Unit



### 可控制设备Equipment that can be connected:

BRC-H700/Z700 3CCD Color Video Camera  
BRC-300/300P 3CCD Color Video Camera  
EVI-D100/D100P/S Color Video Camera  
EVI-D70/D70P/W Color Video Camera  
EVI-D30/D30P Color Video Camera  
SNC-RZ30N/RZ30P Network Camera  
SONY EVI-HD1摄像机 Camera  
EVI-HD3V 通讯型彩色摄像机 Communication color camera  
SONY EVI-HD7V索尼视频会议摄像机 Conference Video Conference Camera  
BRC-Z330 CMOS彩色视频摄像机 Communication color camera  
Sony DXC-390/390P是一种1/3型DSP 3-CCD彩色视频摄像机 Communication color camera  
Sony DXC-990/990P是一种1/2英寸DSP 3CCD彩色视频摄像机 Communication color camera  
Polycom (宝利通)系列会议摄像机MPTZ-6、MPTZ-9  
series conference camera  
CISCO 思科系列高清摄像机720P/1080P  
series High-Definition camera  
松下系列AW-HE50/100, PH300-650

**操纵杆Joystick:** 3-axis+1button, zoom function,,shuttle,jog in the knob, autoreturning

**按键Buttons:** 28, multifunction, silicon + keystroke

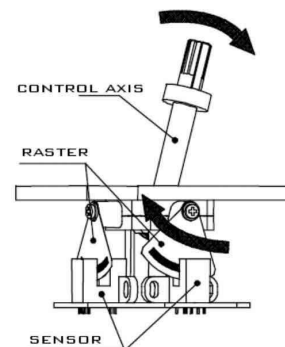
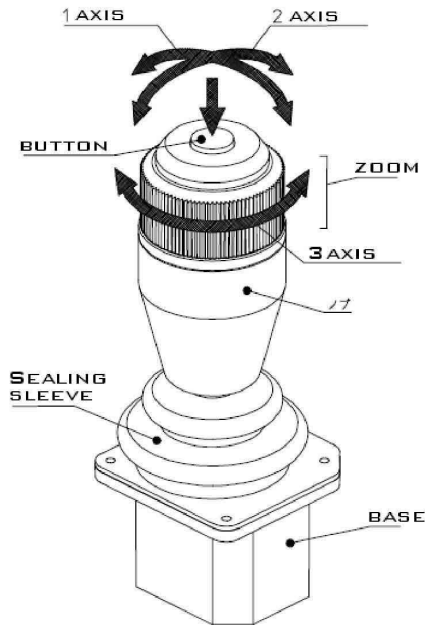
**显示器Display:** LCD, 2 lines of 20 characters, backlight

**性能指标:**

尺寸 Dimensions:	355(L) × 150(W) × 155(H)mm
重量Weight:	1.47kg (w/o Power supply) 1.89 kg (with Power supply) 2.4kg (prepared for shipping)
操作温度Operating Temperature:	-10 ℃ - 70 ℃
相对湿度Humidity:	30% - 90% (w/o condensation)
电源适配器Recommended adapter:	AC100-240V-12VDC/1000mA
Connectors:	1 x RJ-45 (RS485/RS232) for DVR RS485: 功率输出, 2000M(for camera) RS232: for camera USB-D:USB2.0(for computer)

组合控制杆图示：Combination joystick diagram：

**3 Axis+1Button** 非接触、高分辨率、长寿命  
non-connect、high-definition、long-time



**可同时接不同品牌的摄像机：**

- 1) 最多可以控制 64 台会议摄像机
- 2) 每个摄像机的协议、波特率可以单独设置
- 3) VISCA 协议地址智能搜索
- 4) 每台摄像机可以设置 2-8 个预置位的巡航, 间隔时间 5-100 秒
- 5) Polycom、Cisco 协议的预置位存储在键盘上, 每台最多 8 个预置位, 最多 64 台摄像机

**Can connect various type of camera in same time**

1. MAX connect 64 unit conference camera
2. Every camera protocol ,baud rate can be set separately
3. VISCA protocol address smart search
4. Every camera can set 2-8 preset cruise,interval 5-100 seconds
5. Protocol preset store in keyboard , MAX 8 preset per camera , MAX 64 units camera



Panasonic  
AW-HE50/100



EVI-D70



EVI-D100



BRC-H700

OMC-76  
4D Joystick Visca Protocol  
与 Sony RM-BR300 功能相同  
function same



EVI-HD1/HD7



BRC-300

专业视频会议摄像机控制键盘-SONY 系列

Professional video conference camera control keyboard-SONY series

专业视频会议摄像机控制键盘- CISCO (思科) 系列

Professional video conference camera control keyboard-CISCO series



PrecisionHD 1080P 12X cameras



OMC-76



PrecisionHD 720P cameras

专业视频会议摄像机控制键盘- POLYCOM (宝利通) 系列

Professional video conference camera control keyboard-POLYCOM series



MPTZ-6/MPTZ-9



OMC-76

多品牌混合控制  
Various kinds brand mixed control



或其它协议的摄像机

- RS232 接口: 一个通信分配器 (OMC70SW) 可扩展 4 个接口, 最多可接 16 个通信分配器, 最多可连接 4X16=64 台摄像机;
- RS485 接口: 不用分配器, 最多可连接 64 台摄像机;
- RS232 interface: one communication distributor (OMC70SW) can extend 4 interface, MAX connect 16 communication distributor, MAX connect 4\*16=64 camera
- RS485 interface: no communication distributor, MAX connect 64 camera