

Model TSA50

None-Contact Angle Position Sensor

- ▶ Hall effective
- ▶ Absolute Position
- ▶ Linearity $\lt; \pm 0.2\%$
- ▶ Long life
- ▶ Single turn
- ▶ Servo + Penal Mount



MECHANICAL		
	Mechanical Range	360°, Avail for Mechanic stop
	Starting Torque	0.5Ncm
	Max Rotating Speed	120rpm
	Max Permitted Axial Shaft Load	10N
	Max Permitted Radial Shaft Load	10N
	Weight	21g

ELECTRICAL		
	Measuring Range	0 ~ 360°
	Independent Linearity	$\lt; \pm 0.2\%$
	Resolution	12 bit
	Refresh Rate	290 (± 15) μ s
	Max. Hysteresis	0.1°
	Max. Repeatability	0.1°
	Supply Voltage	5 ($\pm 10\%$) VDD, Avail for other options
	Supply Current	$\lt; 12\text{mA}$
	Output Load Analog	10k Ω
	Load Output Capacity	10 to 330nF

ENVIRONMENTAL		
	Protection Class	IP54/65
	Min. Life	10 millions Turns
	Operation Temperature Range	-40°C ~ +150°C
	Storage Temperature	-40°C ~ +85°C
	IEC 68-2-6 Vibration (Amax = 0.75mm, f = 5 ... 2000 Hz)	20g

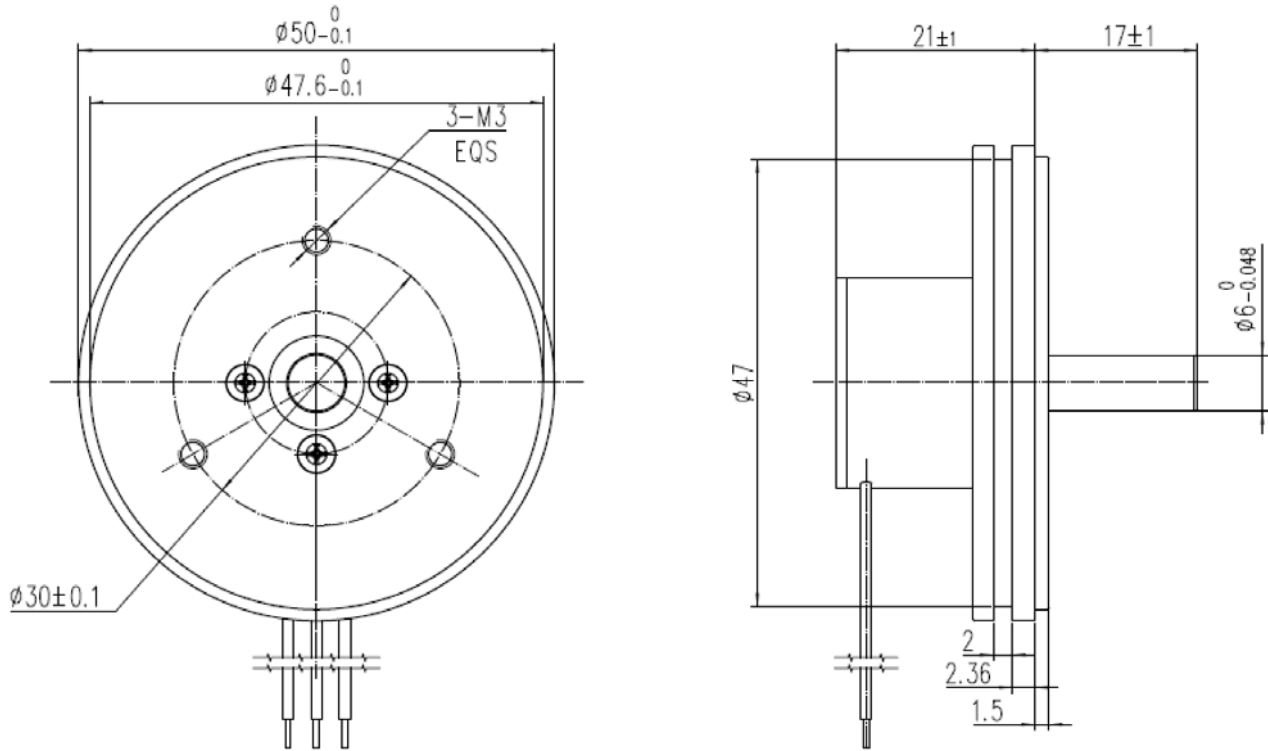
CE-CONFORMITY	
	RF noise field strength EN 55011, class B
	ESD EN 61000-4-2
	Radiated immunity EN 61000-4-3
	Burst EN 61000-4-4
	Conducted disturbances induced by RF fields EN 61000-4-6

ORDERING INFORMATION

TSA 35	1	1	1	3	6	0	D	1	E	<p>Effective Electronic Travel</p> <p>360 Standard 360°</p> <p>X Optional Available for other Angle Request</p>
										<p>Shaft Type</p> <p>D Standard D Type</p> <p>I Standard I Type</p> <p>R Standard Round Type</p> <p>X Optional Customized are avail</p>
										<p>Shaft Length</p> <p>1 Standard 17 mm</p> <p>X Optional Customized are avail</p>
										<p>Operation Temperature</p> <p>E Standard -40°C ~ +85°C</p> <p>K Standard -40°C ~ +125°C</p> <p>L Optional -40°C ~ +150°C</p>

										<p>Output Signal</p> <p>1 Standard 10% - 90%</p> <p>2 Standard 0% - 100%</p> <p>3 Optional 4 - 20 mA</p> <p>X Optional X% - Y%</p>
										<p>Input Voltage</p> <p>1 Standard 5V DC</p> <p>2 Optional 10V DC</p> <p>3 Optional 12V DC</p> <p>4 Optional 24V DC</p> <p>X Optional Available for other Request</p>
										<p>Output Characteristic</p> <p>1 Standard Positive gradient CW</p> <p>2 Standard Positive gradient CCW</p> <p>3 Optional Redundant, positive gradient CW</p> <p>4 Optional Redundant, positive gradient CCW</p> <p>X Optional Available for other Request</p>

OUTLINE DRAWING



ACCESSORY

Lock Nut	x2
Screw	x2