

温州联宝贸易有限公司

Wenzhou Linp Trading co., Ltd.

乐清市欧姆特尔电子科技有限公司

Yueqing Omtel electronic & technology co., Ltd.

## OM8000 系列工业手柄

## OM8000 series industrial handle



### 产品特点 Product characteristic

- ◀ 配备模块化电路输出，方便客户配套各种控制设备，性价比高。人性化设计，操作方便。  
Equipped with modular circuit output, enabling customers to supporting a variety of control equipment, cost-effective. Designed personalized, simply operated
- ◀ 金属结构安全可靠。  
metal structure safe and reliable
- ◀ 系统按IP65等级设计，防尘防水方面表现突出。  
designed by IP 65 system, great for protection dustproof and waterproof
- ◀ 输出特性：机械形式：快速安装，手动带档位，中心零位带锁（向下解锁）。电子输出形式：前后各六档开关输出。  
Output characteristics: mechanical forms: quick installation, Manual with stalls, center-zero lock (down to unlock)  
Electric output style : Each Six stalls switch output in front and behind.

### 应用范围 Application scope

该系列产品主要适用于矿山机械，船用机械，工程机械等。

This series products mainly Suit for Mining machinery, marine machinery, engineering machinery, etc

# 技术参数 Technical parameter

## 机械参数 Mechanical parameter

操作扭矩 X 和 Y 轴: 约15N  
Operate torque X and Y axis: about 15N  
复位的误差率: 0  
Restoration Error Rate: 0  
预期回转使用寿命: 约5,000,000 次  
expected service life of rotary: about 5,000,000 times  
储存温度: -10° C 到 80° C  
Storage Temperature: -10°C to 80°C  
工作温度: -10° C 到80° C (无凝露)  
Work Temperature: -10°C to 80°C (no gel)  
防护等级: IP65  
Protection level: IP65  
输出接线: 按基体标签接线  
output connection: As base tag connection

## 电气参数 Electrical parameter

开关工作电压: AC 250V  
Switch Work voltage: AC 250V  
开关工作电流: 10A  
Switch Work current: 10A  
线性公差:  $\pm 1\%$   
Linear tolerance:  $\pm 1\%$   
绝缘电阻: 50 M $\Omega$ @ 500 VDC, 60 sec.  
Insulation Resistance: 50 M $\Omega$ @ 500 VDC, 60 sec.  
分辨率: 无穷大  
Resolution : Infinite  
抵抗温度系数:  $\pm 400$  ppm/° C  
Temperature Coefficient Resistance:  $\pm 400$  ppm/°C  
X 和 Y 轴电转角:  $\pm 32$ 度  
X And Y Axis Electricity Corner:  $\pm 32$  degree  
导线线长: 按客户要求 (接线端子)  
Wire length: As required (Wiring Terminals)

# 产品选型Product Selection

OM8000 - □ □ □ □ - □ □ - B □ □ □ - N □ □ □  
①        ② ③    ④        ⑤        ⑥        ⑦

## 分项选型说明Sub-item selection instructions

### ① 产品系列号 Product series number

OM8000 系列工业操纵杆适用于矿山机械，船用机械，工程机械等

OM8000 series industrial joystick is suit for Mining machinery, marine machinery, engineering machinery, etc

### ② 复位方式Spring return method

T-弹簧

T-spring

M-摩擦

M-friction

S-机械锁。

S-mechanical lock

### ③ 操纵杆运动方向Joystick moving direction

DZ-单轴（前后）

DZ-single axis (front and behind)

SZ-双轴（前后左右）

SZ-Double axis (front, behind, left, right direction)

SW-三轴（前后左右上下）

SW-Three axis(front, behind, left, right ,up and down )

### ④ 限位方式Limitation method

全方位为空

Full is empty

S-十字形限位

S-Cross the limit

M-米字形限位

M-“米” limit

L-L字形限位

L-“L” limit

\*-\*字形限位。

\*-“\*” limit

### ⑤ 输出方式Output way

P1: 普通双方向

P1:common double direction

P2: 普通单方向

P2:common single direction

V1: 0~±10V输出

V1: 0~±10V output

V2: 0~±5V输出

V2: 0~±5V output

V3: 0~5V输出

V3: 0~5V output

V4: 0~10V输出

V4: 0~10V output

V5: 0~双5V输出

V5: 0~both 5V output

V6: 0~双10V输出

V6: 0~both 10Voutput

# 产品选型Product Selection

V7: 0~±9V输出  
V7: 0~±9V output  
V8: 0.5~4.5V输出  
V8: 0.5~4.5V output  
V9: 0~双9V输出  
V9: 0~double 9V output  
V10: 0~9V输出  
V10: 0~9V output  
I1: 4~20mA输出  
I1: 4~20mA output  
I2: 4~双20mA输出  
I2: 4~double 20mA output  
I3: 0~20mA输出  
I3: 0~20mA output  
I4: 0~双20mA输出  
I4: 0~double 20mA output  
H1: 0.5~2.5~4.5V(霍尔)  
H1: 0.5~2.5~4.5V(HALL)  
H2: 0~2.5~5V(霍尔)  
H2: 0~2.5~5V(HALL)  
P3: 编码器单方向  
P3: encoder single direction  
P4: 编码器双方向  
P4: encoder double direction  
K1-K7: 单轴双方向1到7档位开关输出  
K1-K7: Single axis double direction 1 to 7 stalls switch output

## ⑥ 手柄样式Handle style

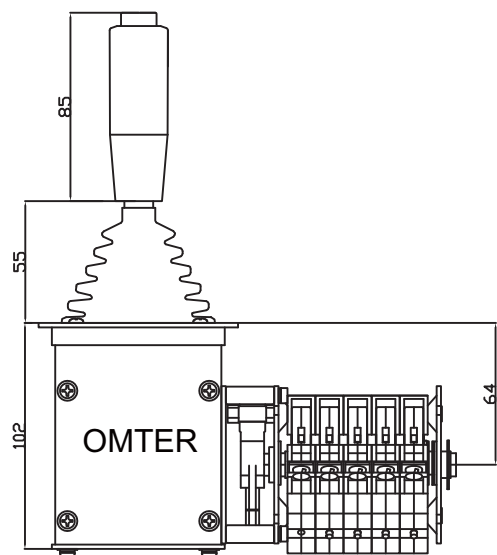
手柄型号: B001~B0025(共25种手柄供客户选择, 客户也可以根据自己要求定制)  
handle model: B001~B0025( total 25 kinds of handles offer to choose, also, can as the customer requirement customized)

## ⑦ 按钮输出Button output

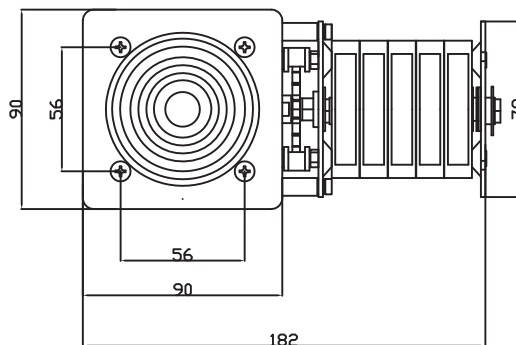
根据客户要求可以配1~6个按钮 (按钮分为防水型塑料按钮, 防水型金属按钮等等大小尺寸, 订货有特殊要求时请咨询客服)

According to customer requirements can be equipped with 1 to 6 buttons.(Buttons have waterproof plastic button, waterproof metallic button and so on in different size, If any special require in order ,please contact customer service )

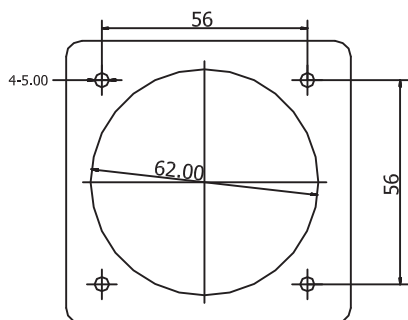
# 外形尺寸 External dimensions



主视图 Main view



俯视图 Vertical view



安装面板开孔示意图 Mounting panel to the open hole schematic drawing

闭合图表:

触头	降						停	升					
	6	5	4	3	2	1	0	1	2	3	4	5	6
K1							×						
K2							×						
K3	×	×	×	×	×	×							
K4								×	×	×	×	×	×
K5	×	×	×	×	×				×	×	×	×	×
K6	×	×	×	×						×	×	×	×
K7	×	×	×								×	×	×
K8	×	×										×	×
K9	×												×

Closed graph:

contact	down						stop	up					
	6	5	4	3	2	1	0	1	2	3	4	5	6
K1							×						
K2							×						
K3	×	×	×	×	×	×							
K4								×	×	×	×	×	×
K5	×	×	×	×	×				×	×	×	×	×
K6	×	×	×	×						×	×	×	×
K7	×	×	×								×	×	×
K8	×	×										×	×
K9	×												×

OM8000 图例

