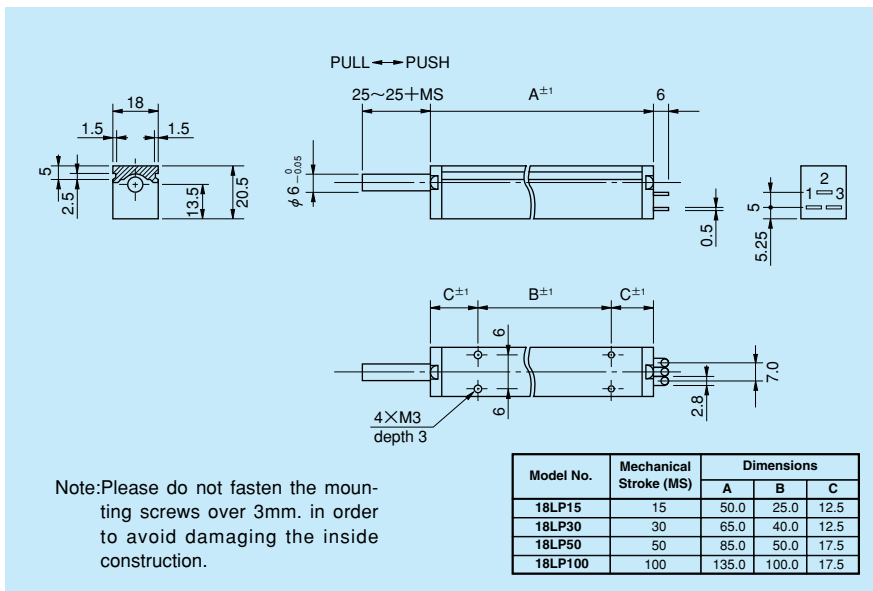




Model 18LP50

● Standard Dimensions



● Standard Model Nos.

- 18LP15 Stroke 15mm
- 18LP30 Stroke 30mm
- 18LP50 Stroke 50mm
- 18LP100 Stroke 100mm

● General Specifications

Model No.		18LP15	18LP30	18LP50	18LP100
Standard Resistance Range		10 Ω ~ 5k Ω	20 Ω ~ 10k Ω	50 Ω ~ 10k Ω	50 Ω ~ 20k Ω
Total Resistance Tolerance	Standard Class	±5% (J)			
	Precision Class	±3% (H)			
Independent Linearity Tolerance	Standard Class	±2.0%	±1.0%	±0.7%	±0.5%
	Precision Class	±1.0%	±0.5%	±0.4%	±0.25%
Power Rating		0.3W	0.5W	0.75W	1.0W
Noise		Within 100 Ω E.N.R.			
Electrical Stroke		15 ± 0.5mm	30 ± 0.5mm	50 ± 0.5mm	100 ± 0.5mm
Mechanical Stroke (MS)		15 ⁺² / ₀ mm	30 ⁺² / ₀ mm	50 ⁺² / ₀ mm	100 ⁺² / ₀ mm
Insulation Resistance		Over 100M Ω at 1,000V.D.C.			
Dielectric Strength		1 minute at 1,000V.A.C.			
Friction		Within 0.6N (60gf)	Within 0.8N (80gf)	Within 1N (100gf)	
Stopper Strength		Approx. 90N (9kgf)			
Max. Working Voltage		100V			
Resistance Temperature Coefficient of Wire		±20 p.p.m./°C			
Mass		Approx. 60g	Approx. 70g	Approx. 100g	Approx. 140g

● Standard Resistance Values ■ No. of Wire Turns ■ Resistance Wire Used

Resist. Value (Ω)	10	20	50	100	200	500	1k	2k	5k	10k	20k
18LP15	75	90	115	110	140	160	230	280	350	—	—
18LP30	—	150	190	240	210	280	360	450	580	780	—
18LP50	—	—	260	340	420	440	500	650	900	1,100	—
18LP100	—	—	400	530	670	900	900	1,000	1,200	1,600	2,400
Resist. Wire Used	Cu-Ni System						Ni-Cr System				

● Special Specifications Available

Stroke 150mm (S18LP150), Stroke 200mm (S18LP200), Sealed type (IP54, The length of "A" is extended by abt. 6mm.), Spring return device (up to 100mm. stroke, Friction is 3N [300gf]. Spring return device is mounted on the outer shaft. For details, please ask us.), Special machining on the shaft.