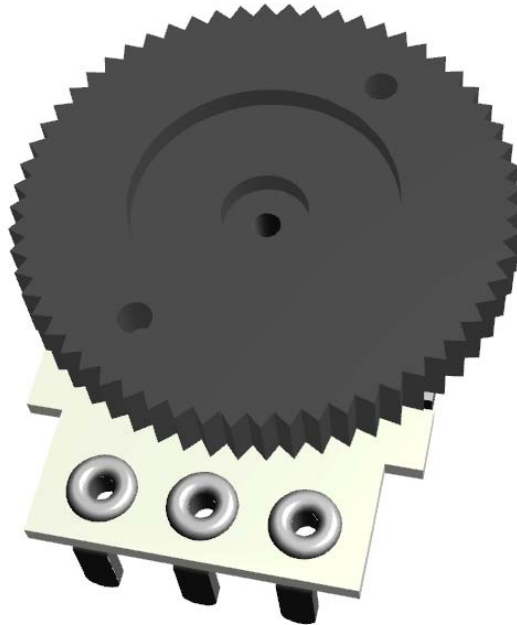


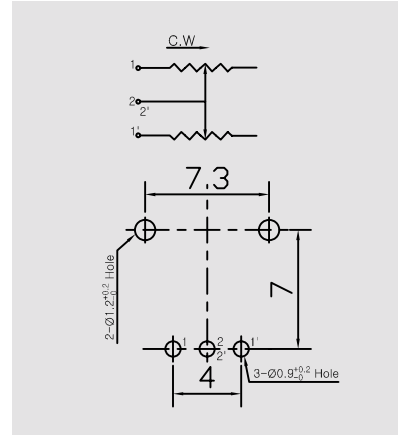
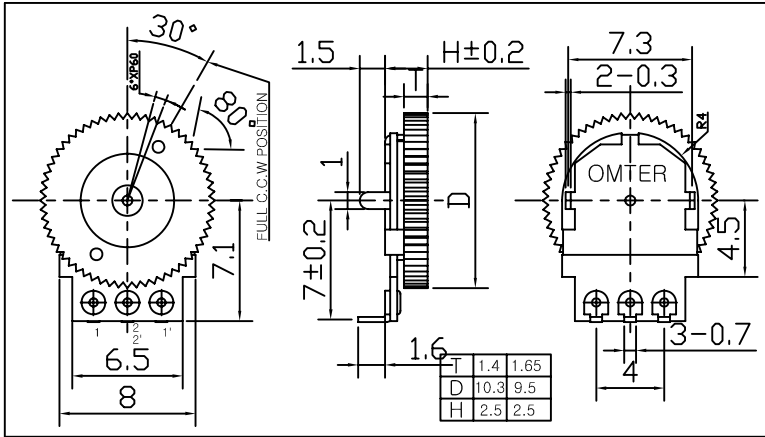
F-06 系列 拇指驱动型电位器
F-06 Series Thumbwheel Driving Potentiometer



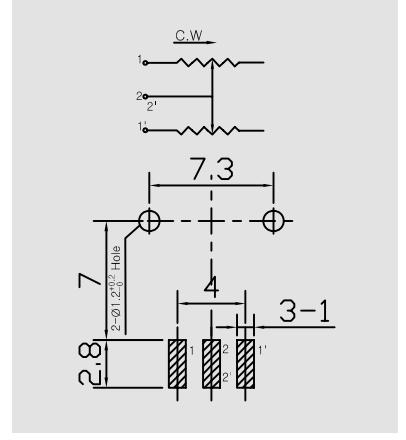
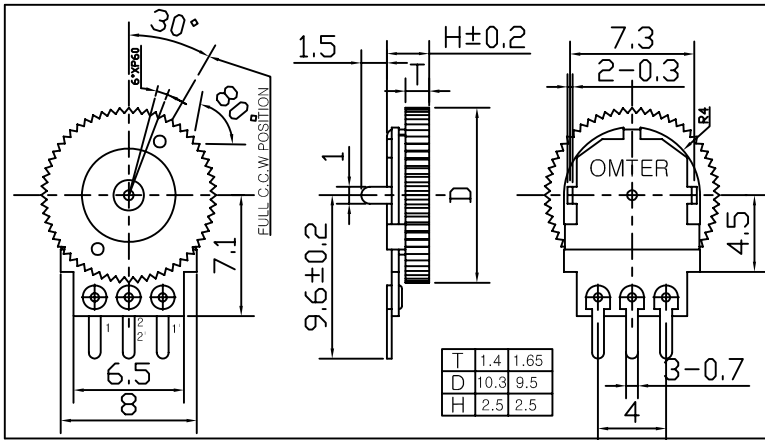
参数特性 *General Specification:*

MAIN SPECIFICATION	
全阻值: Total Resistance	500Ω- 500KΩ
全阻值公差 Total Resistance tolerance:	±20%
抵抗变化特性: Resistance Tape	A,B,C,D
最大工作电压: Max. operation voltage	DC 10V
额定功率:Power Rate	Liner Taper B:0.02W Other Tapers:0.01W
耐电压:Withstanding voltage	10 Sec at AC 25V
杂音: Noise	Less than 100mV
绝缘抵抗: Insulation resistance	Over than 5MΩat DC 50V
残留阻值: Residual Resistance Value	Term.1~2: Less than 20Ω
	Term.2~3: Less than 20Ω
全回转角度: Total Rotation Angle	270±10(degree)
旋转力矩: Rotation Torque	10~100 gf.cm
旋转止动强度: Shaft Stop Strength	0.7Kgf.cm Min
推拉强度: push-pull strength	0.5kgf Min Pull:0.2kgf Min
Durable performance	
旋转寿命: Rotational life	5000Cycle

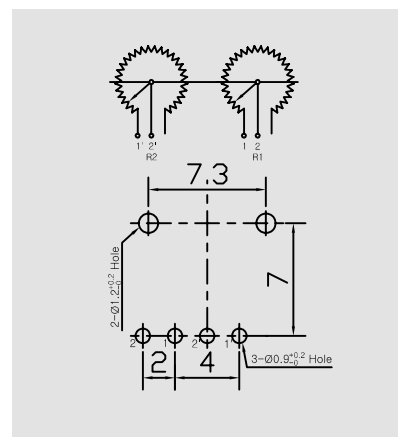
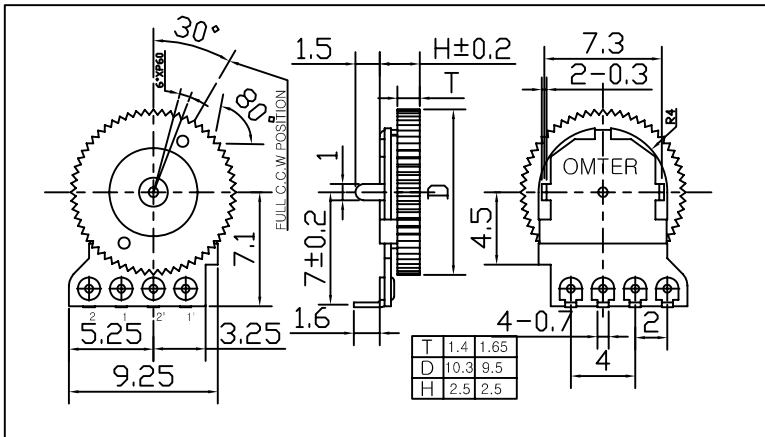
F-06G



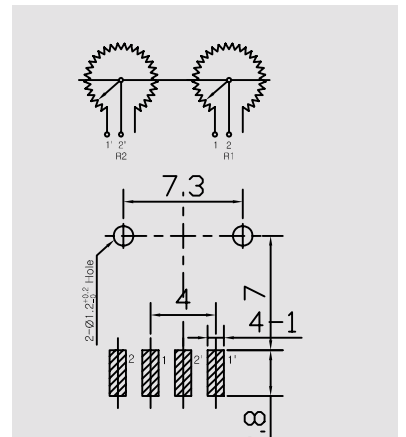
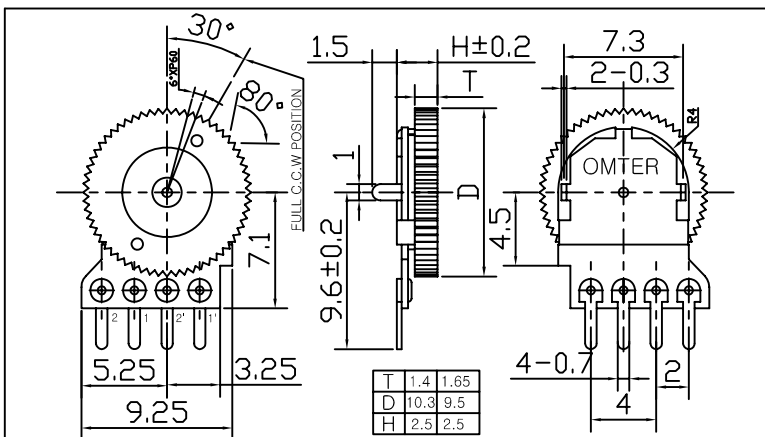
F-06GP



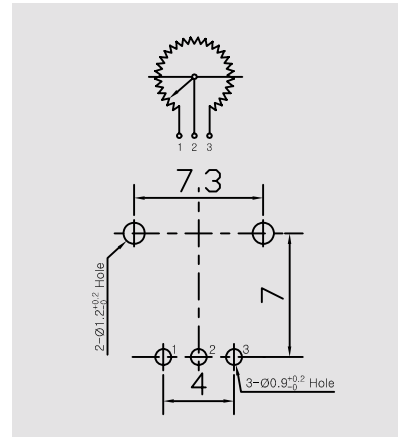
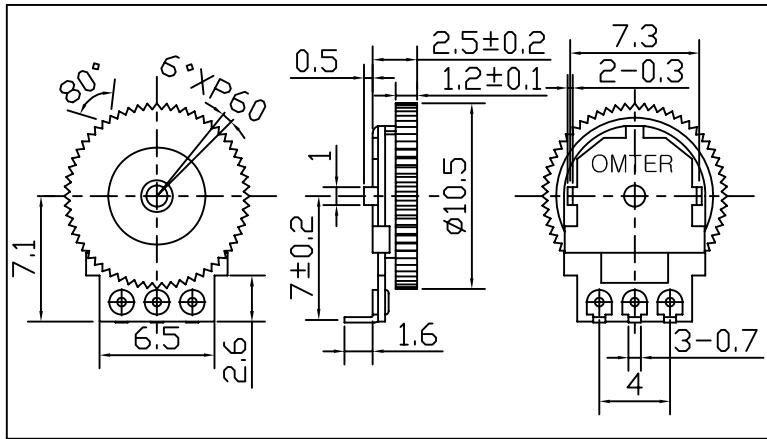
F-06G1



F-06GP1



F-06N



F-06NP

