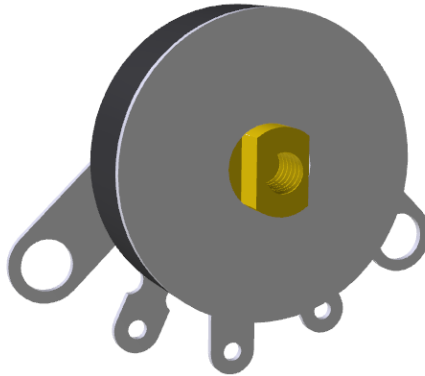
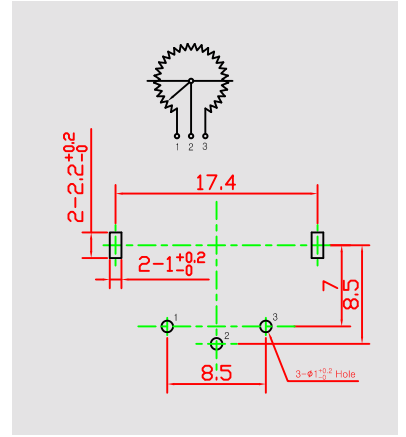
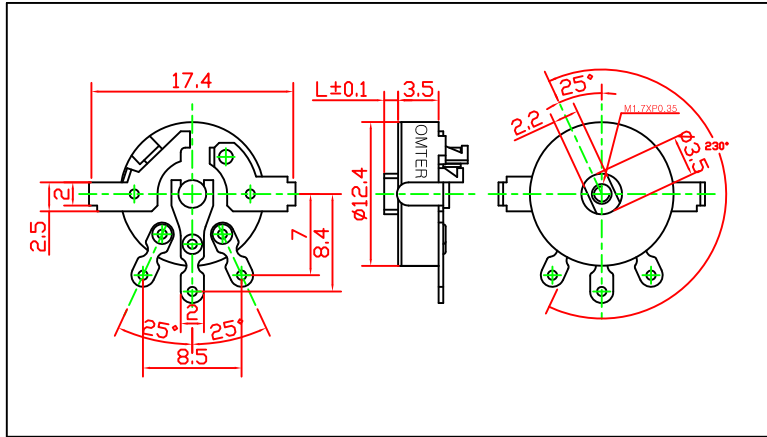


F-12 系列 模壳式电位器
F-12 Series Molded Case Potentiometer

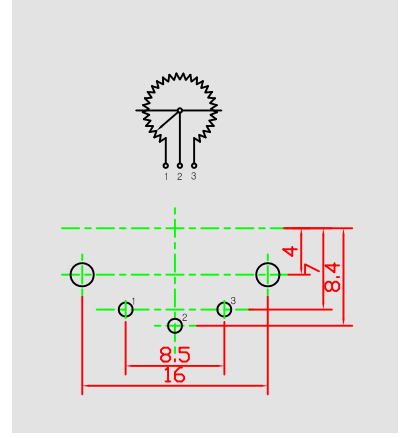
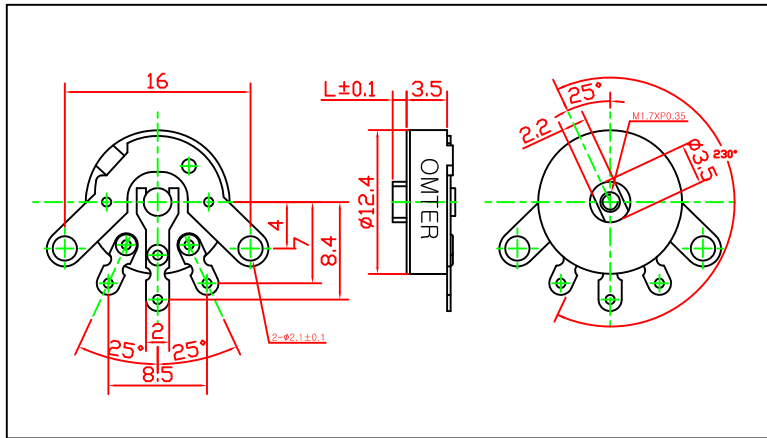


MAIN SPECIFICATION	
全阻值: Total Resistance	100Ω- 1MΩ
全阻值公差 Total Resistance tolerance:	±20%
抵抗变化特性: Resistance Tape	A,B,C,D
最大工作电压: Max. operation voltage	Linear B: AC 150V; Other: AC 100V
额定功率: (W) Ratings Power	Linear B: AC 0.1W; Other: 0.05W
杂音: Noise	Less than 100mV
耐电压: Withstanding voltage	1 minute at AC 500V
绝缘抵抗: Insulation resistance	More than 50MΩ at DC 500V
残留阻值: Residual Resistance Value	Term.1~2: Less than 20Ω Term.2~3: Less than 20Ω
开关额定功率: Switch power rate	1.0A at AC/DC 12V
开关接触阻抗: Switch contact resistance	Less than 50mΩ
开关回路: Switch return route	S.P.S.T
MECHANICAL	
全回转角度: Total Rotation Angle	230±10(degree)
旋转力矩: Rotation Torque	20~150 gf.cm
旋转止动强度: Shaft Stop Strength	2.0Kgf.cm Min
开关力距: Switch torque	100~350 gf.cm
开关旋转角度: Switch rotation angle	35±10(degree)
推拉强度: push-pull strength	1.0 kgf Min
Durable performance	
旋转寿命: Rotational life	10000Cycle

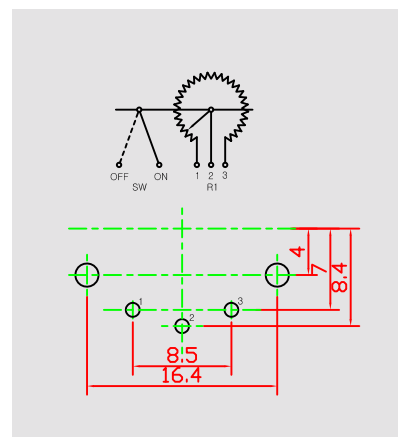
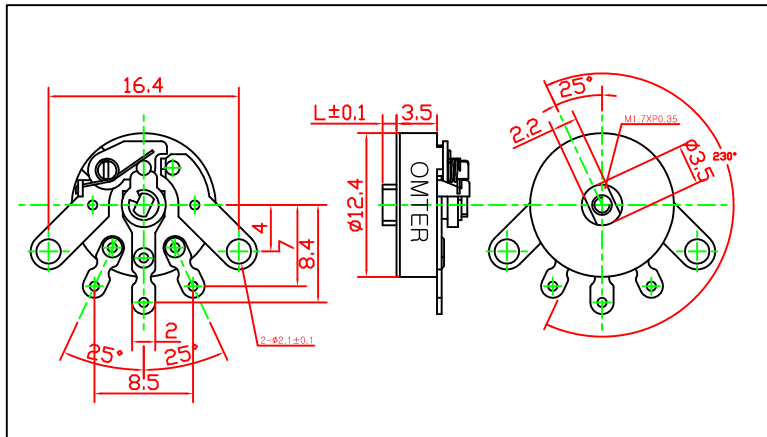
F-12SNPD1



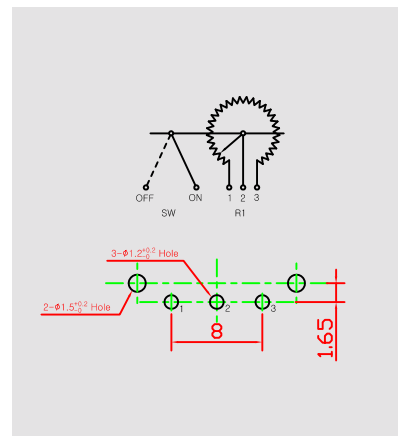
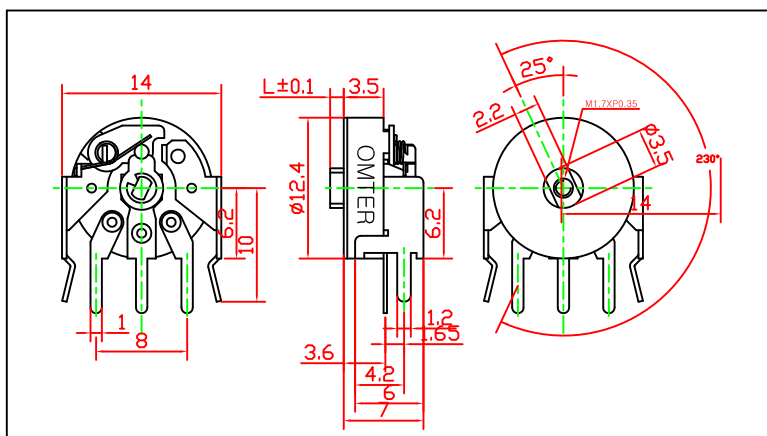
F-12N



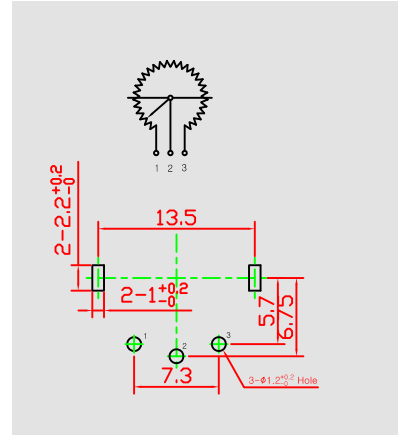
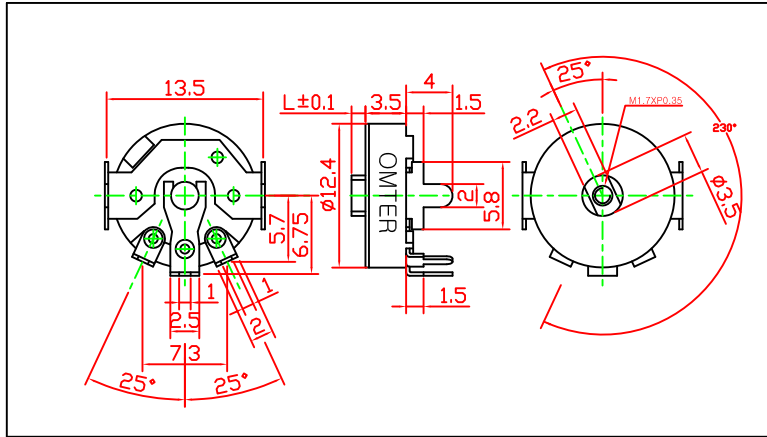
F-12S



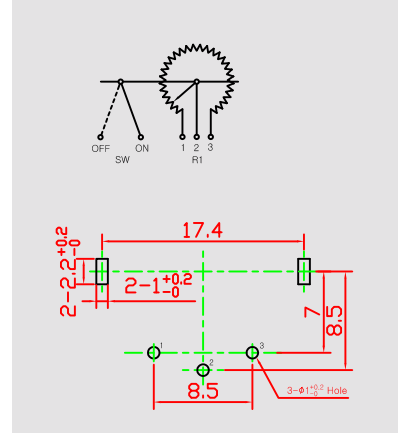
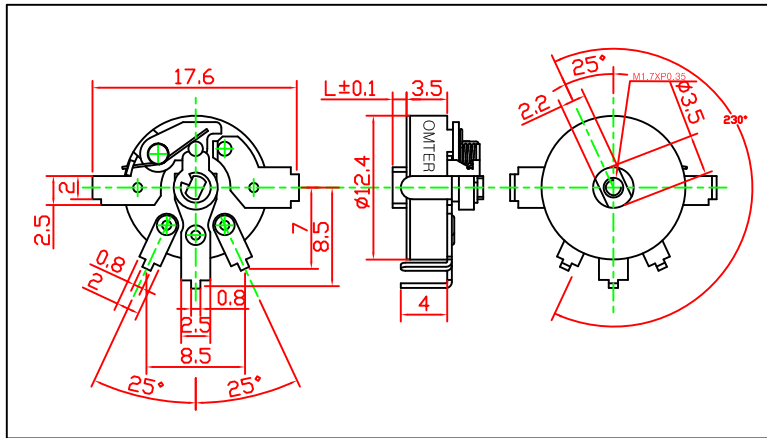
F-12SH3



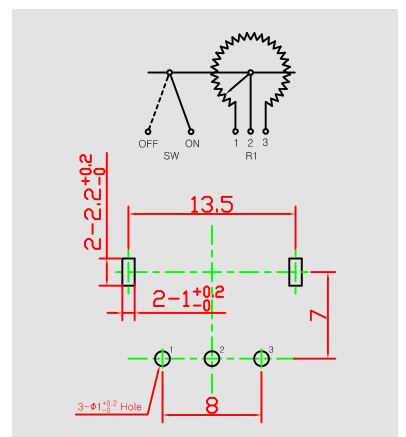
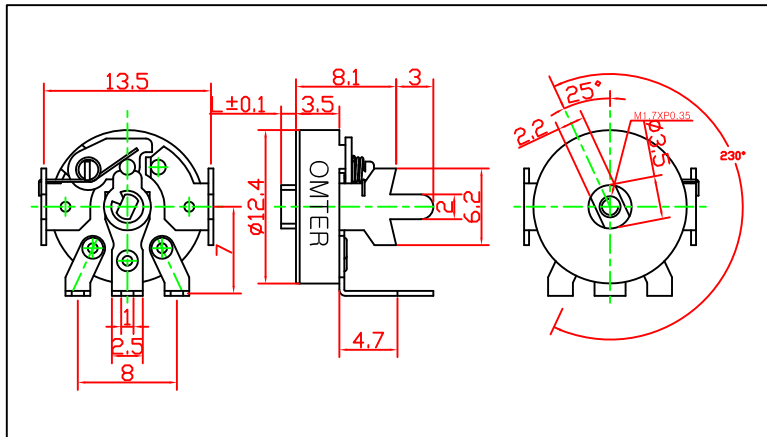
F-12NPT1



F-12SPD



F-12SP2



F-12SNPD

