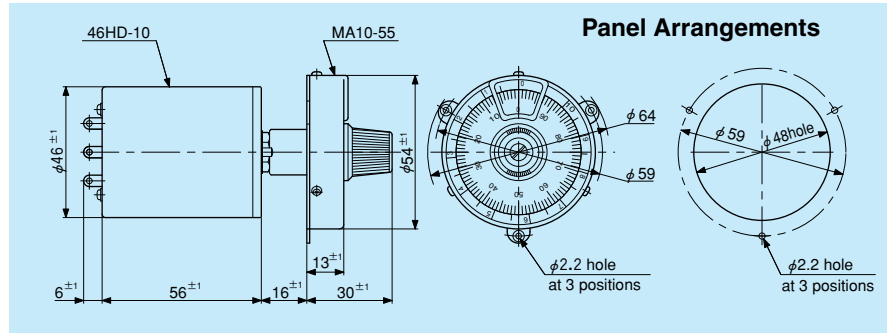
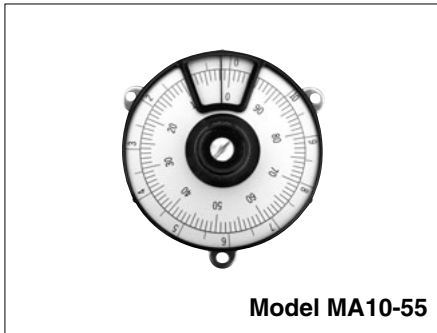


● Standard Dimensions



● General Specifications

Model No	Number of Turns-Counting.	Matching Shaft Dia. (mm)		Combinable Helicalohm Pot. (Matching shaft length of 18.5mm)	Lock Device	Operating Temperature Range	Mass (Approx. g)
		Standard	Special				
MA10-55	3, 5, 10 15, 20	6	6.35	25HP 46HD	No	-55°C ~ +105°C	90

How to mount MA Series



Model MA Series counting dial employs special adaptor for being mounted on Helicalohm pot. and its use requires a considerable skill or technique. If a dial is ordered together with our Helicalohm Potentiometer, these will be combined at SAKAE and will be supplied in one unit.

● Special Specifications Available

- Special graduations to your request.
- Acrylic resin cover.
- Special mounting panel as shown on the right-hand drawing fitted.

