

温州联宝贸易有限公司

Wenzhou Linp Trading co., Ltd.

乐清市欧姆特尔电子科技有限公司

Yueqing Omer electronic & technology co., Ltd.

OM2200 系列工业手柄

OM2200 series industrial handle



产品特点Product characteristic

- ◀ 配备模块化电路输出，方便客户配套各种控制设备，性价比高。人性化设计，操作方便。
Equipped with modular circuit output, enabling customers to supporting a variety of control equipment, cost-effective.
- ◀ 结构简单安全可靠。
simply structure, safe and reliable
- ◀ 有多种不同类型手柄上端供选择，同时，按钮数量和位置也有不同配置形式。
Has many kinds of different type handle top port to supply choice, simultaneously, button quantity and the position also have the different disposition form.
- ◀ 输出特性：机械形式：快速安装，摩擦带锁，中心零位。电子输出形式：单轴开关输出。
Output characteristics: mechanical forms: quick installation, friction lock, center-zero
Electric output style: single axis switch output

应用范围Application scope

该系列产品主要适用于电动车运动控制，电动轮椅车，机器人以及各种人机视频操作系统
This series products mainly Suit for the electric vehicle motion control, electric wheelchairs, robots and a variety of human-computer video operating system

机械参数 Mechanical parameter

操作扭矩 X 和 Y 轴: 约5N
Operate torque X and Y axis: about 5N
复位的误差率: 0
Restoration Error Rate: 0
预期回转使用寿命: 约1,000,000 次
expected service life of rotary: about 1,000,000 times
储存温度: -10°C 到 80°C
Storage Temperature: -10°C to 80°C
工作温度: -10°C 到 80°C (无凝露)
Work Temperature: -10°C to 80°C (no gel)
防护等级: IP65
Protection level: IP65
输出接线: 按基体标签接线
output connection: As base tag connection

电气参数 Electrical parameter

开关工作电压: AC 250V
Switch Work voltage: AC 250V
开关工作电流: 5A
Switch Work current: 5A
线性公差: $\pm 3\%$
Linear tolerance: $\pm 3\%$
重量: 约50g
weight: About 50g
最优负载: $10\text{K}\Omega$ 至无穷大
Optimal load: $10\text{K}\Omega$ - Infinite
抵抗温度系数: $\pm 400\text{ ppm}/^{\circ}\text{C}$
Temperature Coefficient Resistance: $\pm 400\text{ ppm}/^{\circ}\text{C}$
X 和 Y 轴电转角: ± 10 度
X And Y Axis Electricity Corner: ± 10 degree
导线线长: 按客户要求 (开关端子输出)
Wire length: As required (switch output)

产品选型Product Selection

OM2200 - □ □ □ □ - □ □ - B □ □ □ □ - N □ □ □ □
① ② ③ ④ ⑤ ⑥ ⑦

分项选型说明Sub-item selection instructions

① 产品系列号 Product series number

OM2200系列工业手柄主要应用于电动车运动控制，电动轮椅车，机器人以及各种人机视频操作系统
The OM2200 series industry handles, applies in the electric vehicle motion control, electric wheelchairs, robots and a variety of human-computer video operating system

② 复位方式Spring return method

T-弹簧
T-spring
M-摩擦
M-friction
S-机械锁。
S-mechanical lock

③ 操纵杆运动方向Joystick moving direction

DZ-单轴（前后）
DZ-single axis（front and behind）

④ 限位方式Limitation method

全方位为空
Full is empty
S-十字形限位
S-Cross the limit
M-米字形限位
M-“米” limit
L-L字形限位
L-“L” limit
*.*字形限位。
. limit

⑤ 输出方式Output way

K1-K2： 单轴双方向1到2档位开关输出
K1-K2:Single axis both direction one to two stalls switch output

⑥ 手柄样式Handle style

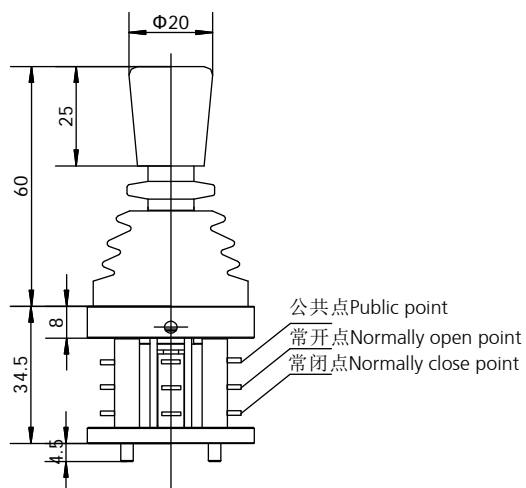
手柄型号:B001~B0010(共10种手柄供客户选择，客户也可以根据自己要求定制)
handle model:B001~B0010(total 10 kinds of handles offer to choose, also, can as the customer requirement customized)

⑦ 按钮输出Button output

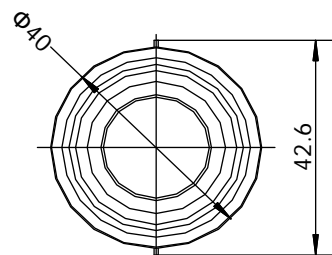
根据客户要求可以配1~2个按钮（按钮分为防水型塑料按钮，防水型金属按钮等等大小尺寸，订货有特殊要求时请咨询客服）

According to customer requirements can be equipped with 1 to 2 buttons.(Buttons have waterproof plastic button, waterproof metallic butto and so on in different size, If any special require in order ,please contact customer service)

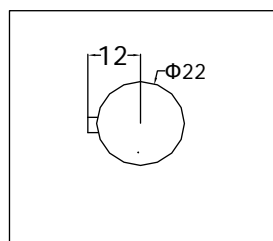
外形尺寸 External dimensions



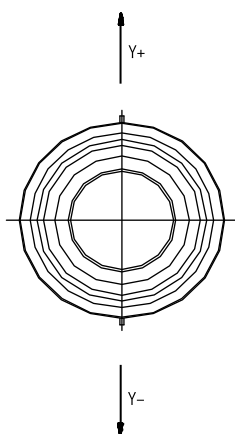
主视图 Main view



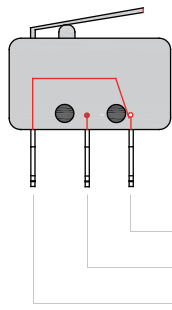
俯视图 Vertical view



安装面板开孔示意图 Mounting panel to the open hole schematic drawing



单轴操作方向定义 Single axis operation direction definition



常闭点 NC NC: Normally close point

常开点 No NO:Normally open point

公共点 C C: Public point

OM2200 图例

