

温州联宝贸易有限公司
Wenzhou Linp Trading co., Ltd.
乐清市欧姆特尔电子科技有限公司
Yueqing Omter electronic technology co., ltd.

OM600系列工业手柄 OM600 series industry handle



产品特点Product characteristic

- ◀ 坚固型设计，适合工程车辆使用。
The firm design, suits the project vehicles use.
- ◀ 弹簧自动复位，可单轴前后方向操作；也可以双轴任意方向操作。
Spring automatic reset, could single axis front and back direction operation;
Also could double axis any direction operation.
- ◀ 内置非接触霍尔器件检测角度变化，长寿命。
Built-in non-contact Hall device detection angle changes, long-life .
- ◀ 可根据需要选择不同的输出电压范围。
Could according to requirement select the different output voltage range.
- ◀ 可配置BA/HL/BW/KM 等手柄上端，可选择安装按钮或跷板开关。
Can be configured to handle top port BA / HL / BW / KM etc..
could choose to installment button or rocker switch.

应用范围Application scope

该系列产品主要应用于高空作业车、高空平台设备、旋挖钻机、矿车、石油机械等行业。
This series product mainly applies in the work high above the ground vehicle, the upper air platform equipment, turns on lathe digs professions and so on drilling machine, mine car, petroleum machinery.

技术参数 Technical parameter

机械参数 Mechanical parameter

摇动角度: $\pm 18^\circ$
Swing angle: $\pm 18^\circ$
使用寿命: 大于1000 万次
Service life: Is bigger than 10,000,000times
操作力: 15N (最大)
Operation strength: 15N (biggest)
限位力: 50N
Limit strength: 50N
重量: 420g (无上端)
Weight: 420g (without top port)

电气参数 Electrical parameter

电源电压: $5.0 \pm 0.5\text{Vdc}$
Power supply voltage: $5.0 \pm 0.5\text{Vdc}$
总电流: $< 25\text{mA}$
Total current: $< 25\text{mA}$
线性公差: $\pm 5\%$
Linearity tolerance: $\pm 5\%$
极限允许过电压: 30Vdc (连续使用)
Limit to allow over-voltage: 30Vdc (continuous use)
反向极限允许电压: 15Vdc
Reverse limit the allowable voltage: 15Vdc
负载电阻: $> 10\text{K } \Omega$
Load resistance: $> 10\text{K } \Omega$
最小负载阻抗: $5\text{K } \Omega$
Minimum load impedance: $5\text{K } \Omega$
霍尔输出电压范围 (可选) : The Hall output voltage scope (optional):
H51= 霍尔型, DC5V 电源, 0.5V~2.5V~4.5V电压输出
H51= Hall, DC5V power source, 0.5V~2.5V~4.5V voltage output
H52= 霍尔型, DC5V 电源, 0V~2.5V~5V电压输出
H52= Hall, DC5V power source, 0V~2.5V~5V voltage output
H53= 霍尔型, DC5V 电源, 1.25V~2.5V~3.75V电压输出
H53= Hall, DC5V power source, 1.25V~2.5V~3.75V voltage output
跷板按钮输出电压: 1.25V (左方向) ~2.5V (中位) ~3.75V (右方向)
Rocker button output voltage: 1.25V (left direction) ~2.5V (Intermediate position) ~3.75V (right direction)
按钮开关: 负载能力: 5A@28Vdc (阻性负载)
Push button switch: Load capacity: 5A@28Vdc (Resistive load)
操作力: 3N
Operate strength: 3N
动作形式: 瞬间动作
Action form: instant action
机械寿命: 100 万次以上
Mechanical life: more than 1,000,000 times

环境参数 Environment parameter

工作温度: $-40^\circ\text{C} \sim +80^\circ\text{C}$
Operating temperature: $-40^\circ\text{C} \sim +80^\circ\text{C}$
存储温度: $-40^\circ\text{C} \sim +85^\circ\text{C}$
Storage temperature: $-40^\circ\text{C} \sim +85^\circ\text{C}$
防护等级: IP67
Protection rank: IP67

OM600 - □□□ - □□□ - □□□ - □□□
| | | | |
① ② ③ ④ ⑤

分项选型说明Sub-item selection instructions

① 产品系列号The product series number

OM600系列工业手柄，霍尔型弹簧自动复位，安装孔距尺寸57mm*57mm，主要用在高空作业车
OM600 series industry handle, Hall type spring automatic reset, installment pitch of holes size 57mm*57mm, mainly uses in the Aerial vehicles

② 输出轴及操作方式 Output axis and operating mode

1A=单轴 (1A= single axis)

2AC=双轴任意操作方向 (2AC= Double-axis arbitrary direction of operation)

③ 输出信号Output signal

H51=霍尔型DC5V 电源，输出电压0.5V~2.5V~4.5V

H51= Hall type DC5V power source, output voltage 0.5V~2.5V~4.5V

H52=霍尔型DC5V 电源，输出电压0V~2.5V~5.0V

H52= Hall type DC5V power source, output voltage 0V~2.5V~5.0V

H53=霍尔型DC5V 电源，输出电压1.25V~2.5V~3.75V

H53= Hall type DC5V power source, output voltage 1.25V~2.5V~3.75V

④ 手柄上端The handle top port

BA=Φ38*H45，无按钮

BA=Φ38*H45, without button

HL=Φ36*H54，无按钮

HL=Φ36*H54, without button

HLS=Φ36*H54，带一个按钮

HLS=Φ36*H54, with button

BW=Φ30*H51，带一对霍尔模拟量跷板按钮

BW=Φ30*H51, with a pair of Hall analog rocker buttons

KMNN=无安全开关，无跷板按钮

KMNN= no safety switch, no rocker button

KMDR=有安全开关，有跷板按钮

KMDR= with safety switch, with rocker button

KMDN=有安全开关，无跷板按钮

KMDN= with safety switch, without rocker button

KMND=无安全开关，有跷板按钮

KMND= no safety switch, with rocker button

⑤ 出线方式Wire out-way wiring diagram

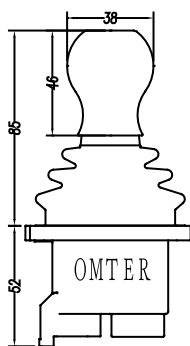
D=德驰 (Deutsch) 6芯插

D= (Deutsch)6 core to insert

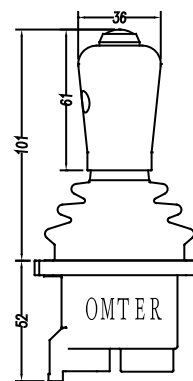
L=1米线缆

The L=1m cable

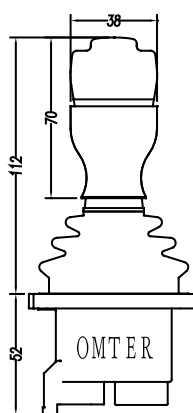
外形尺寸External dimensions



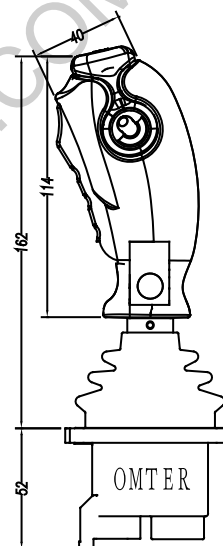
BA 上端BA top port



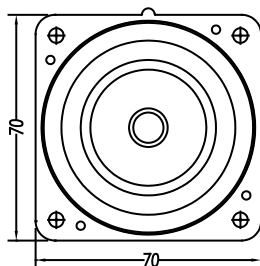
HLS 上端HLS top port



BW 上端BW top port

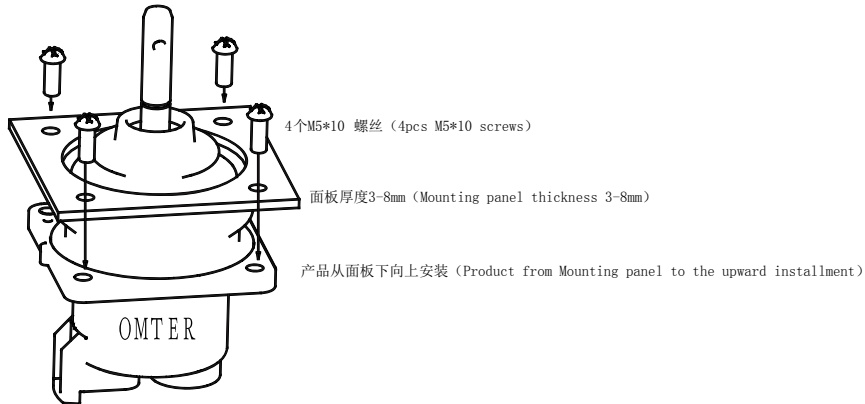


KMDR 上端KMDR top port

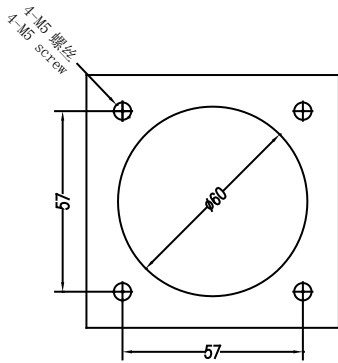


俯视图Vertical view

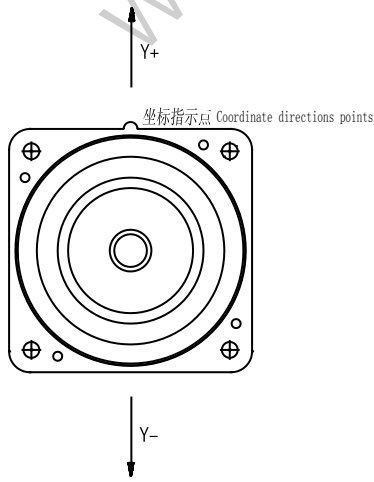
机械安装 Machinery installment



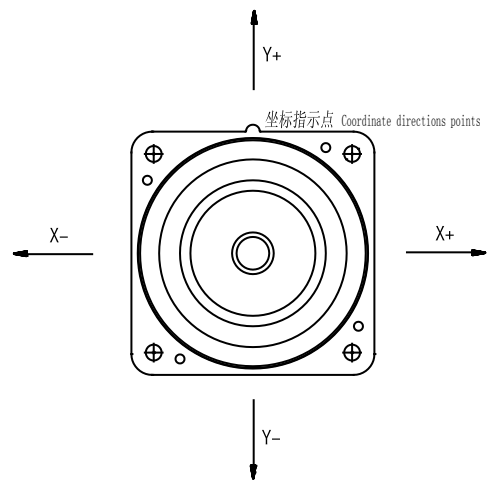
安装示意图 Installs the schematic drawing



安装面板开孔示意图 Mounting panel to the open hole schematic drawing



单轴操作方向定义 Single axis operation direction definition

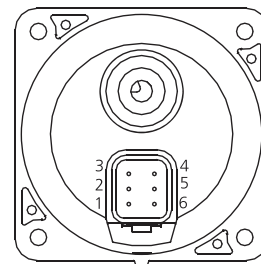


双轴操作方向定义 Double axis operation direction definition

德驰 (Deutsch) 6芯插接线图:
(Deutsch) 6 core insert wiring diagram:

脚号	功能
1	地
2	5V
3	X输出
4	Y输出
5	跷板/按钮
6	空/按钮

Pin No.	function
1	ground
2	5V
3	X output
4	Y output
5	rocker/button
6	hollow/button



线缆出线方式接线图:

cable Wire out-way wiring diagram:

上端为BA/HL/HLS
The top port is BA/HL/HLS

线色	线序	功能
黑	1	地
红	2	5V
黄	3	X输出
绿	4	Y输出
蓝	5	按钮
棕	6	按钮

Line color	Line No.	function
Black	1	ground
Red	2	5V
Yellow	3	X output
Green	4	Y output
Blue	5	button
Brown	6	button

上端为BW/KMDR (The top port is BW/KMDR)

线色	线序	BW	KMDR
黑	1	地	地
红	2	5V	5V
黄	3	X输出	X输出
绿	4	Y输出	Y输出
蓝	5	公共端	公共端
棕	6	跷板正方向	跷板正方向
白	7	跷板负方向	跷板负方向
紫	8		安全开关

Line color	Line No.	BW	KMDR
Black	1	ground	ground
red	2	5V	5V
yellow	3	X output	X output
green	4	Y output	Y output
Blue	5	public port	public port
brown	6	rocker positive direction	rocker positive direction
white	7	rocker negative direction	rocker negative direction
purple	8		safety switch