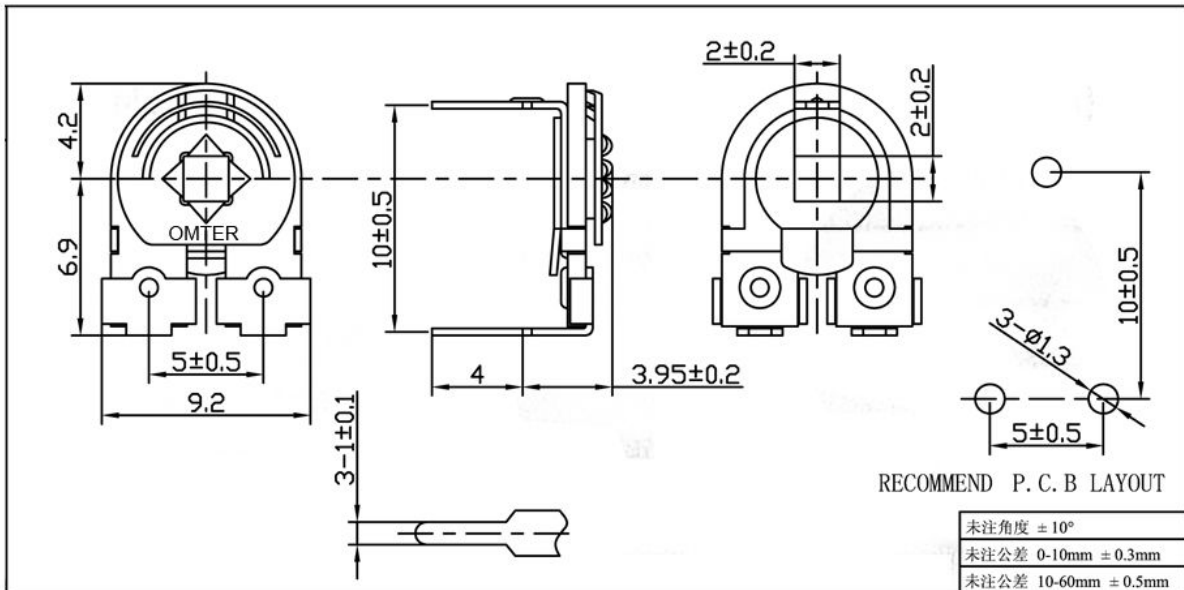
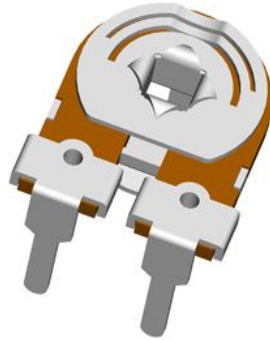




Yueqing Omtter Electronic & Technology Co., Ltd.

SR-085LX



Feature特点:

- ◇3 Pins (三端型) ◇Horizontal Mount/Vertical Adjust (横卧/直调式) ◇Square Slot (方形孔)
- ◇RoHS Compliant (环保产品, 有RoHS认证)

参数特性 General Specification :

标准阻值范围 Standard Resistance Range	100 Ω to 1M Ω
标准阻值公差 Resistance Tolerance	± 30% standard
残留阻值 Residual Resistance	Maximum 5% of Nominal Resistance but less than 30 Ω, whichever is lower 最大为标准阻值的5%, 但不超过30Ω
阻值变化特性 Resistance Taper	B=Linear; B=直线
额定功率 Power Rating	0.1W
使用电压 Operating Voltage	Less than (少于) 50V
旋转寿命 Rotational Life	Maximum +/-15% change in Nominal Resistance after 100 Cycles unloaded
负载寿命 Load Life	Maximum +/-5% change in Nominal Resistance after 3 hours loaded
机械强度 Mechanical Strength	Bakelite sheet be not broken down under pressure of 1Kg.cm Maximum
胶盖推拉力 Shaft push pull strength	1Kg. cm Minimum for 5 Seconds
旋转角度 Rotational Angle	270° ± 20°
扭转力矩 Torque	20 to 100 g.cm
止挡强度 Stop Strength	500g.cm (Min.)
用温度范围 Operating Temperature	-5℃~ +40℃
温度特性 Temperature Characteristics	+5 ~ -30℃ change in resistance after 5 hours at 70 ℃
湿度特性 Humidity Characteristics	Maximum 20% Change in Resistance after 500 hours at 40 ℃ and RH 90% loaded
焊接性能 Solderability	250℃, 2 seconds